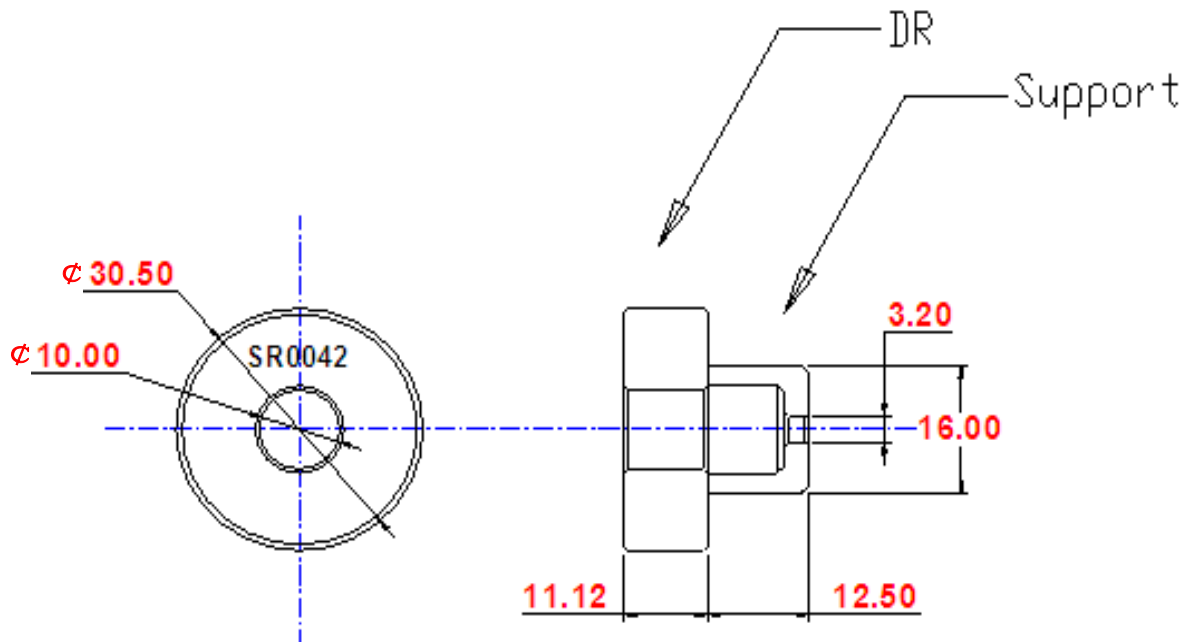


Electrical Specification

Items	Spec	UNIT
Resonance type	TE 01 δ mode	UNIT
Center Frequency (MHz)	1849.0	MHz
Tuning Range (MHz)	1842.0 ~ 1856.0	MHz
Dielectric Constant(ξ_r)	40 \pm 1.5	
Q Value (Qu)	23,500	min.
Max temp Drift (τ_f)	\pm 75	khz
Water Absorption (%)	0.01	max.
Operating Temp. Range	-40 $^{\circ}$ C to +65 $^{\circ}$ C	
Support Composition	Al ₂ O ₃ (Er:9.4~9.8)	

Mechanical Specification



NOTE :
Material specifications
Er = 40.0 \pm 1.5

TOLERANCE \pm 0.20
UNIT: mm

Plot Data

