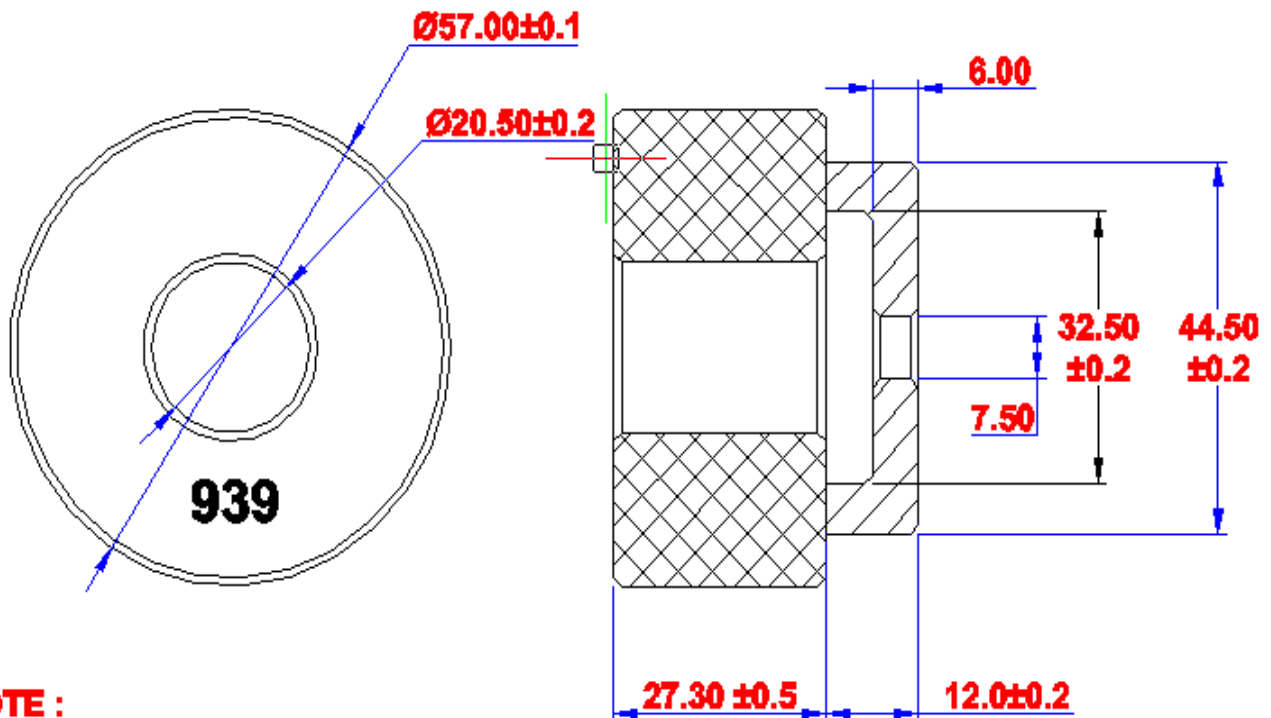


## Electrical Specification

Items	Spec	UNIT
Resonance type	TE 01 $\delta$ mode	UNIT
Center Frequency (MHz)	939.0	MHz
Tunning Range (MHz)	937.0 ~ 941.0	MHz
Dielectric Constant( $\xi_r$ )	44.5 $\pm$ 1.5	
Q Value (Qu)	16,800	min.
Max temp Drift ( $\tau_f$ )	-60 to -130	khz
Water Absorption (%)	0.01	max.
Operating Temp. Range	+ 70 $^{\circ}$ C	
Support Composition	Al <sub>2</sub> O <sub>3</sub> (Er:9.4~9.8)	

## Mechanical Specification



**NOTE :**  
**Material specifications**  
**Er = 44.5  $\pm$  1.5**  
 UNIT: mm

Plot Data

