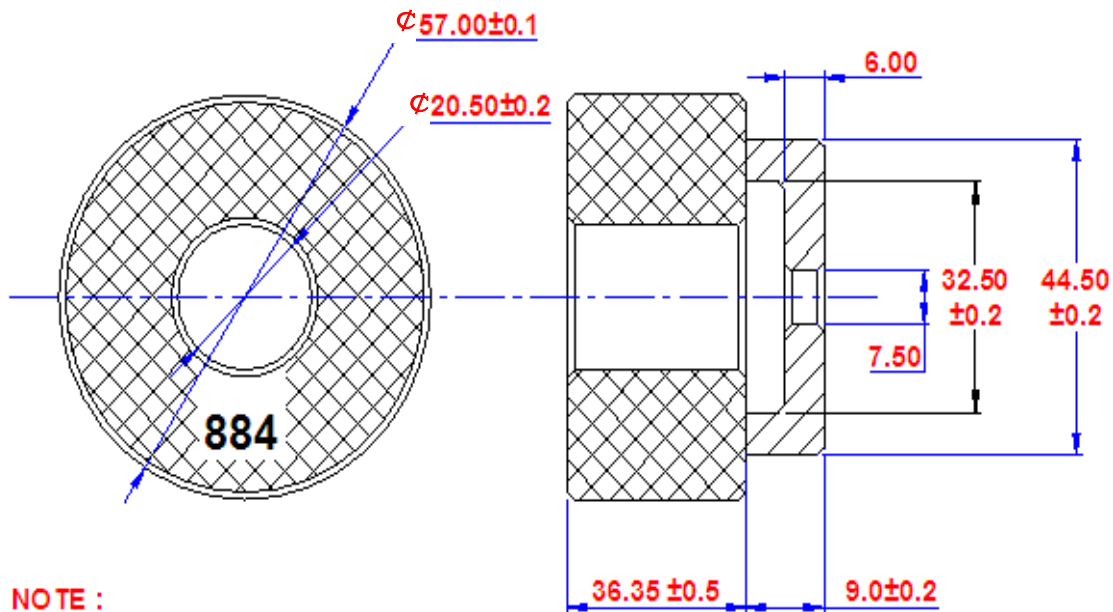


Electrical Specification

Items	Spec	UNIT
Resonance type	TE 01 δ mode	UNIT
Center Frequency (MHz)	884.0	MHz
Tuning Range (MHz)	879.0 ~ 889.0	MHz
Dielectric Constant(ϵ_r)	44.5 \pm 1.5	
Q Value (Qu)	17,000	min.
Max temp Drift (τ_f)	<100	khz
Water Absorption (%)	0.01	max.
Operating Temp. Range	-20 $^{\circ}$ C to +70 $^{\circ}$ C	
Support Composition	Al ₂ O ₃ (Er:9.4~9.8)	

Mechanical Specification



NOTE :
Material specifications
Er = 44.5 \pm 1.5

Unit: mm

Plot Data

