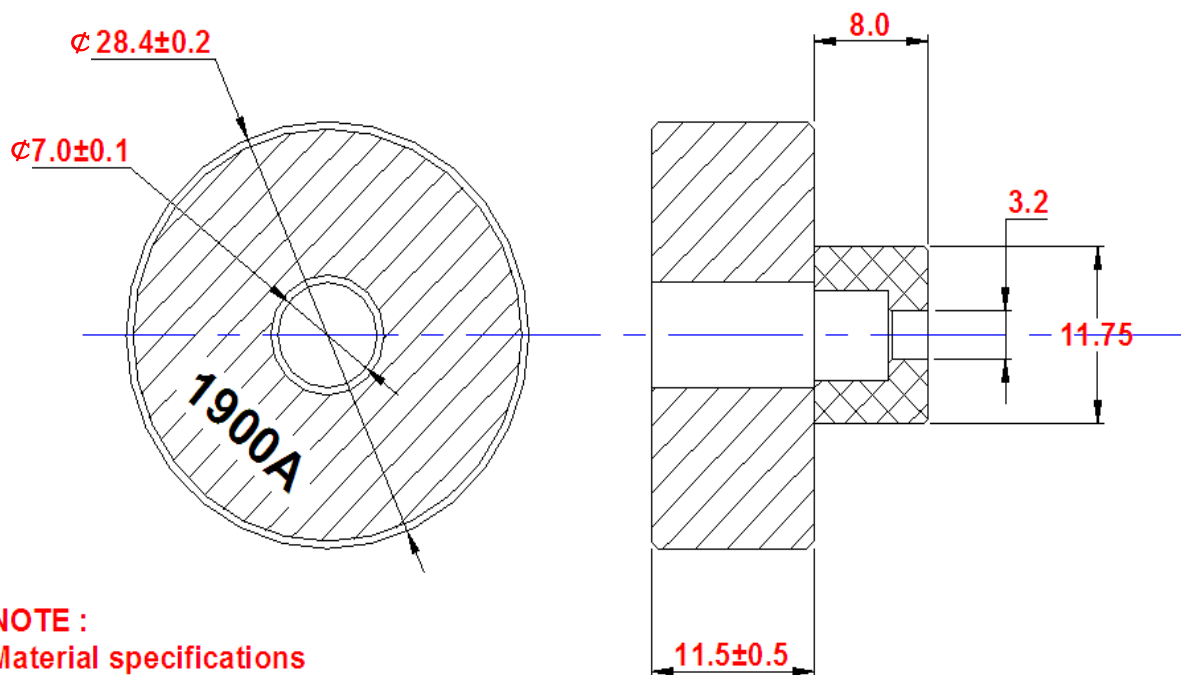


## Electrical Specification

Items	Spec	UNIT
Resonance type	TE 01 $\delta$ mode	UNIT
Center Frequency (MHz)	1900.0	MHz
Tuning Range (MHz)	1892.0 ~ 1908.0	MHz
Dielectric Constant( $\epsilon_r$ )	45.0 $\pm$ 1.5	
Q Value (Qu)	11,000	min.
Max temp Drift ( $\tau_f$ )	$\pm$ 250	khz
Water Absorption (%)	0.01	max.
Operating Temp. Range	-40 to +85 $^{\circ}$ C	
Support Composition	Al <sub>2</sub> O <sub>3</sub> (Er:9.4~9.8)	

## Mechanical Specification



**NOTE :**  
**Material specifications**  
**Er = 45.0  $\pm$  1.5**

Tolerance Unless  
 Otherwise  
 Specified:  $\pm$  0.10  
 Unit: mm

Plot Data

