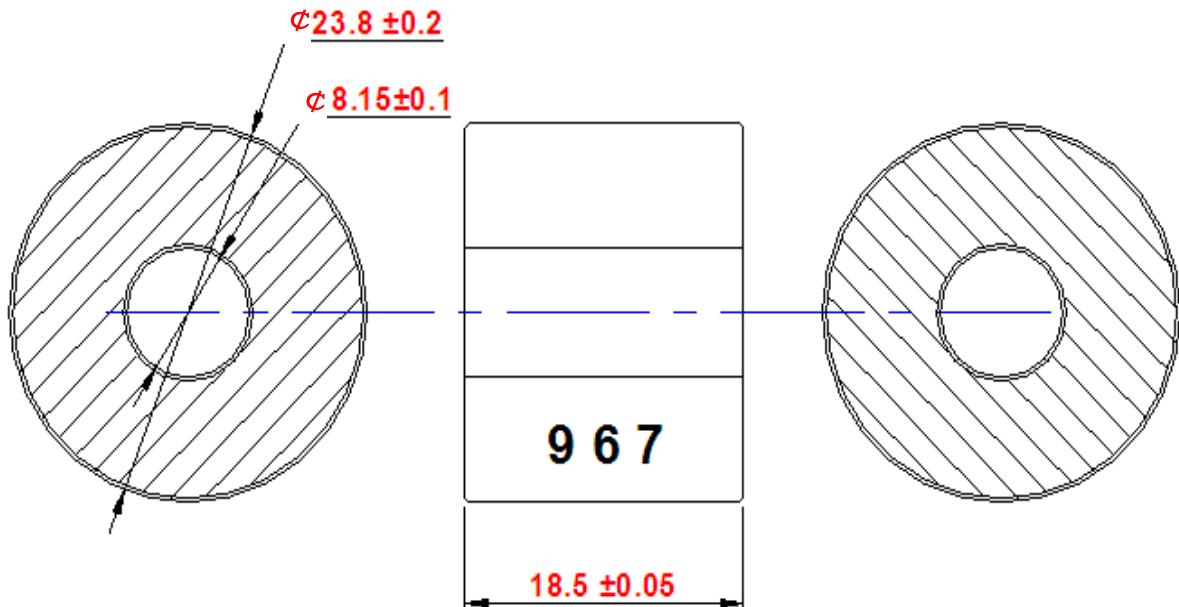


## Electrical Specification

Items	Spec	UNIT
Resonance type	TM 01δ mode	UNIT
Center Frequency (MHz)	967.0	MHz
Tuning Range (MHz)	963.0 ~ 969.0	MHz
Dielectric Constant(εr)	45.0±1.5	
Q Value (Qu)	3,200	min.
Max temp Drift (τf)	12.5 + 1.0	PPM/°C
Water Absorption (%)	0.01	max.
Operating Temp. Range	-40 to +90°C	
Support Composition	Al2O3 (Er:9.4~9.8)	

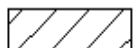
## Mechanical Specification



**NOTE :**

**Material specifications**

**Er = 45.0 ±1.5**



**Ag metalization**

**Unit: mm**

Plot Data

