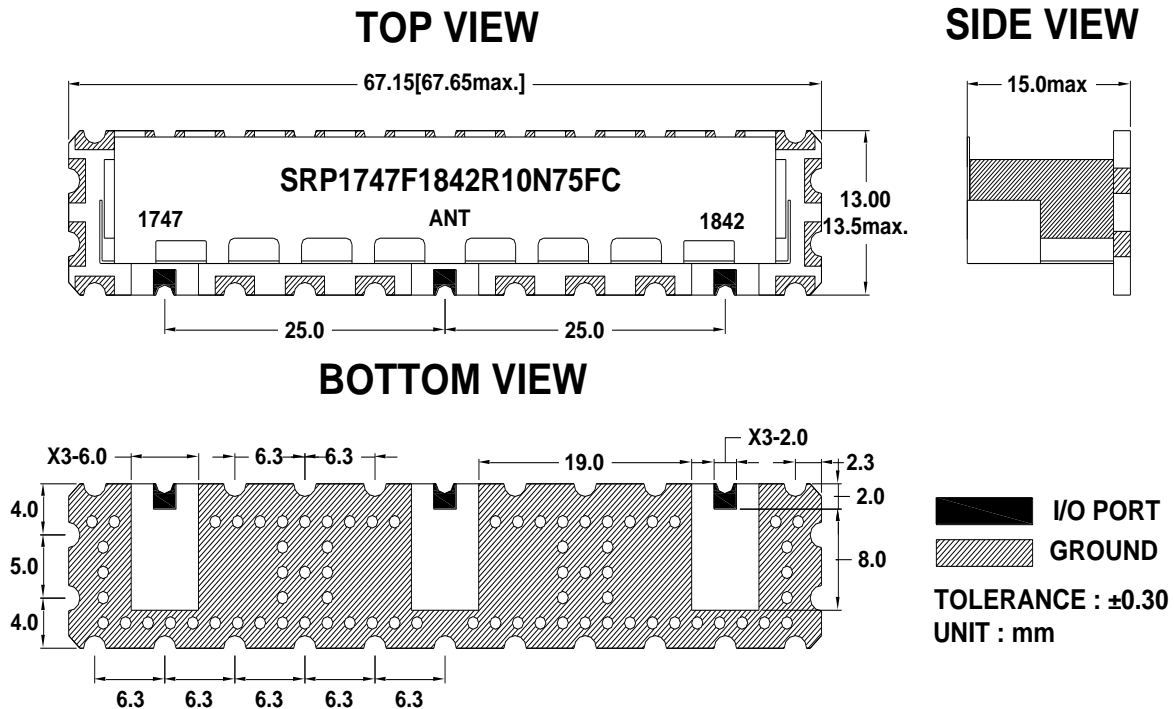


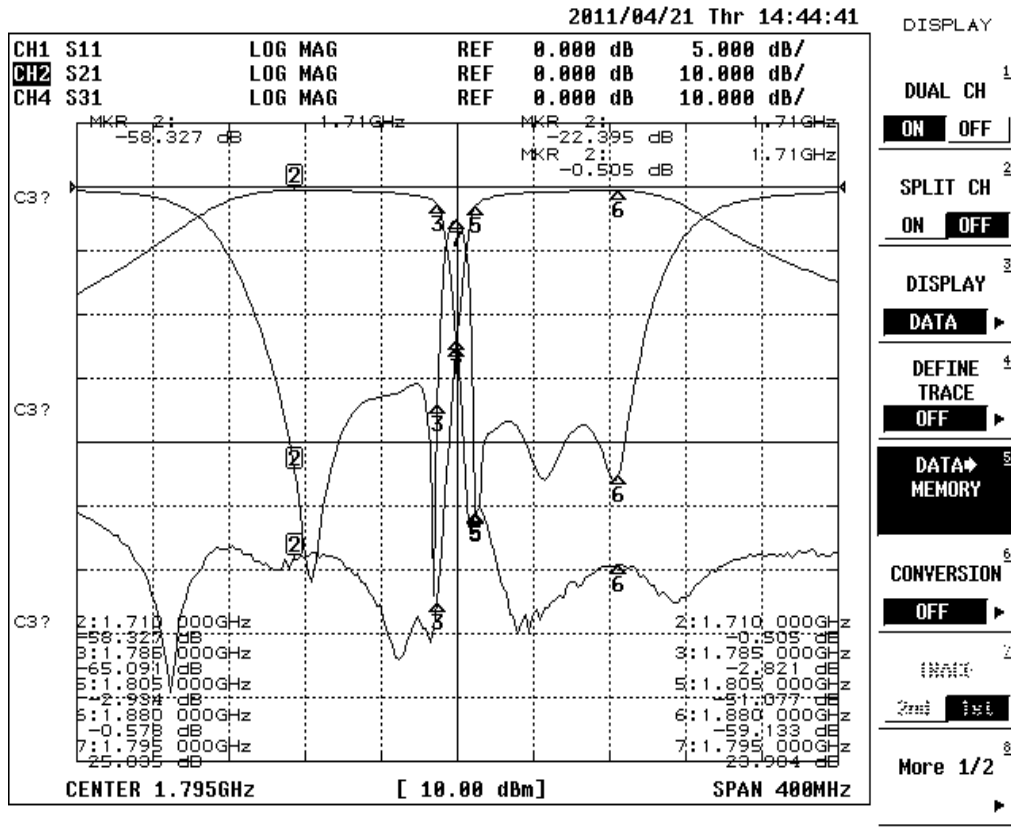
Electrical Specification

ITEMS	ANT >> Low	ANT >> High	Unit
Center Frequency [fo]	1747.5	1842.5	MHz
Bandwidth [BW]	$f_{o\pm 37.5}$ [1710.0 ~ 1785.0]	$f_{o\pm 37.5}$ [1805.0 ~ 1880.0]	MHz
Insertion Loss in BW	4.0	4.0	dB max.
Ripple in BW	3.0	3.0	dB max.
Return Loss in BW <input checked="" type="checkbox"/> ANT Port	15.0	15.0	dB min.
V S W R in BW <input type="checkbox"/> ALL Port			max.
Attenuation	50.0 dB min @ [1805.0 ~ 1880.0]	50.0 dB min @ [1710.0 ~ 1785.0]	MHz
<input checked="" type="checkbox"/> Absolute Value	23.0 dB min @ [1795.0 ~]	23.0 dB min @ [1795.0 ~]	MHz
<input type="checkbox"/> Relative Value	dB min @ [~]	dB min @ [~]	MHz
	dB min @ [~]	dB min @ [~]	MHz
Isolations	dB min @ [~]		MHz
	dB min @ [~]		MHz
Input Power	3.0 W max.		
In/Out Impedance	50 Ω		
Operation Temp. Range	-40°C to +85°C		

Mechanical Specification



Plot Data



Recommended PC Board Pattern

