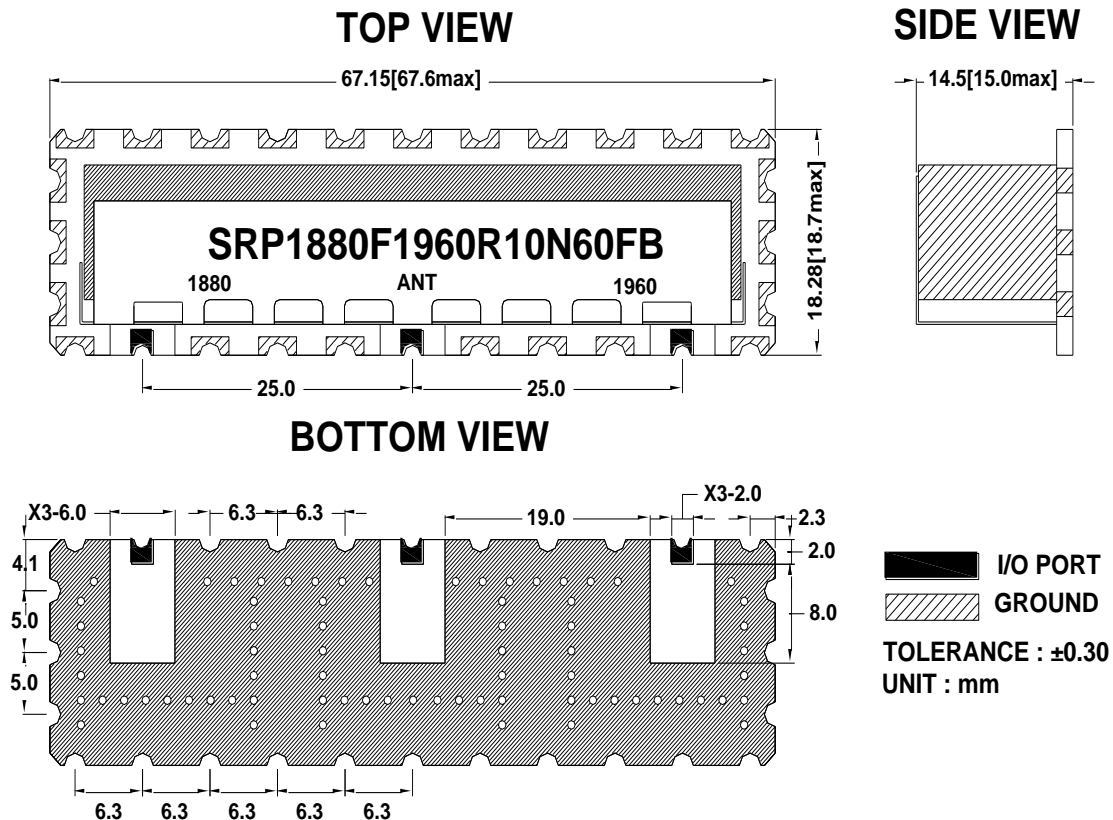


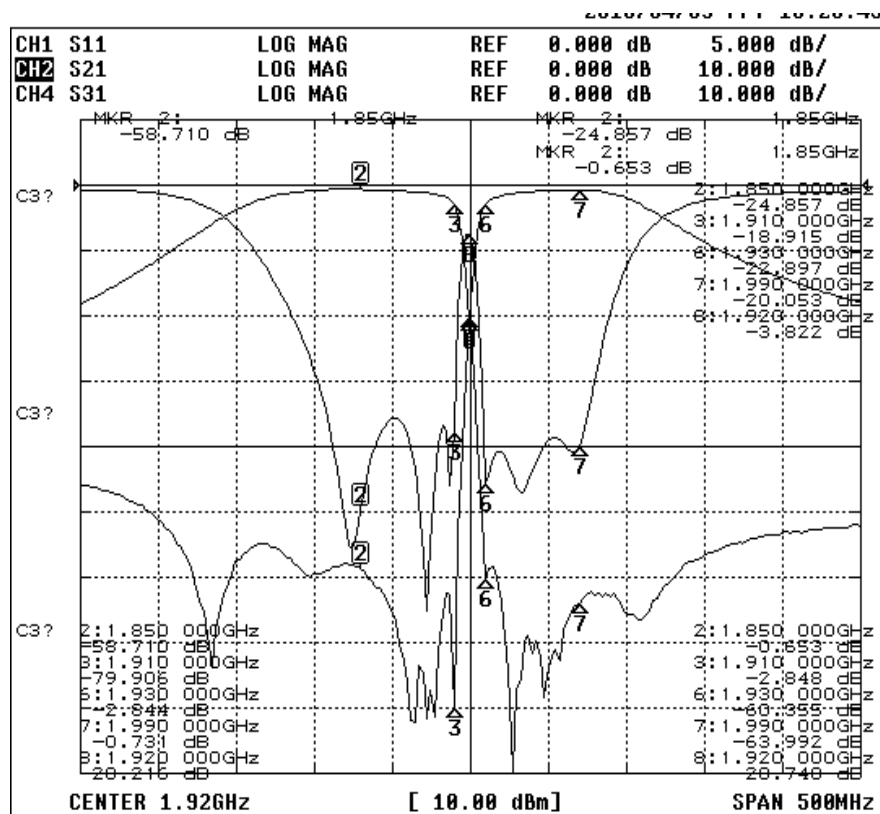
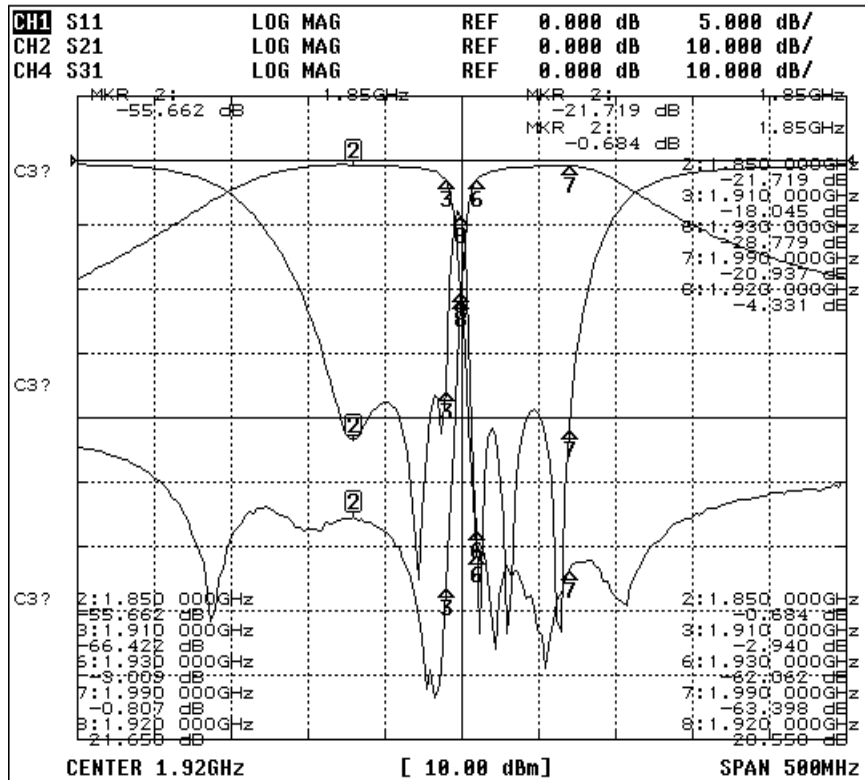
## Electrical Specification

ITEMS	ANT >> Low	ANT >> High	Unit
Center Frequency [fo]	1880.0	1960.0	MHz
Bandwidth [BW]	fo± 30.0 [ 1850.0 ~ 1910.0 ]	fo± 30.0 [ 1930.0 ~ 1990.0 ]	MHz
Insertion Loss in BW	3.5	3.5	dB max.
Ripple in BW	2.5 TYP: 2.0	2.5 TYP: 2.0	dB max.
Return Loss in BW <input checked="" type="checkbox"/> ANT Port	15.0	15.0	dB min.
V S W R in BW <input type="checkbox"/> ALL Port			max.
Attenuation	55.0 dB min @ [ 1930.0 ~ 1990.0 ]	55.0 dB min @ [ 1850.0 ~ 1910.0 ]	MHz
<input checked="" type="checkbox"/> Absolute Value	20.0 dB min @ [ 1920.0 ~ ]	20.0 dB min @ [ 1920.0 ~ ]	MHz
<input type="checkbox"/> Relative Value	dB min @ [ ~ ]	dB min @ [ ~ ]	MHz
	dB min @ [ ~ ]	dB min @ [ ~ ]	MHz
Isolations	55.0 dB min @ [ 1850.0 ~ 1910.0 ]		MHz
	55.0 dB min @ [ 1930.0 ~ 1990.0 ]		MHz
Input Power	3.0 W max.		
In/Out Impedance	50 Ω		
Operation Temp. Range	-40°C to +85°C		

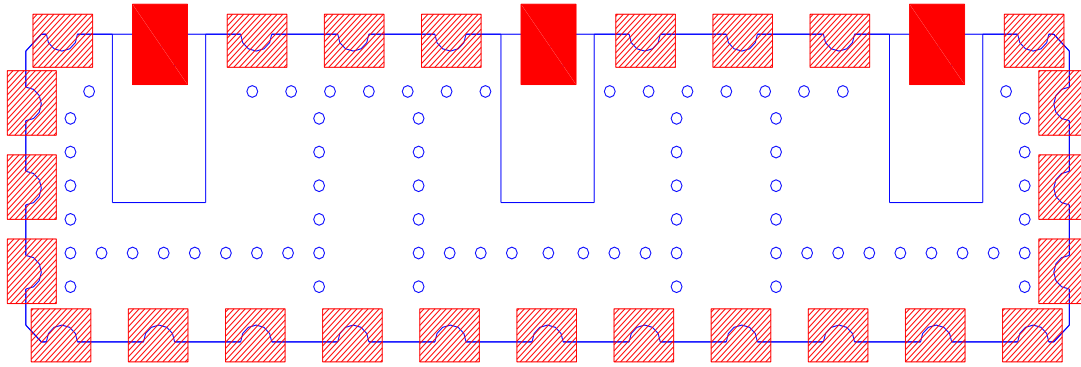
## Mechanical Specification




Plot Data



Recommended PC Board Pattern



 I/O PORT SOLDERING POINT  
 GROUND SOLDERING POINT