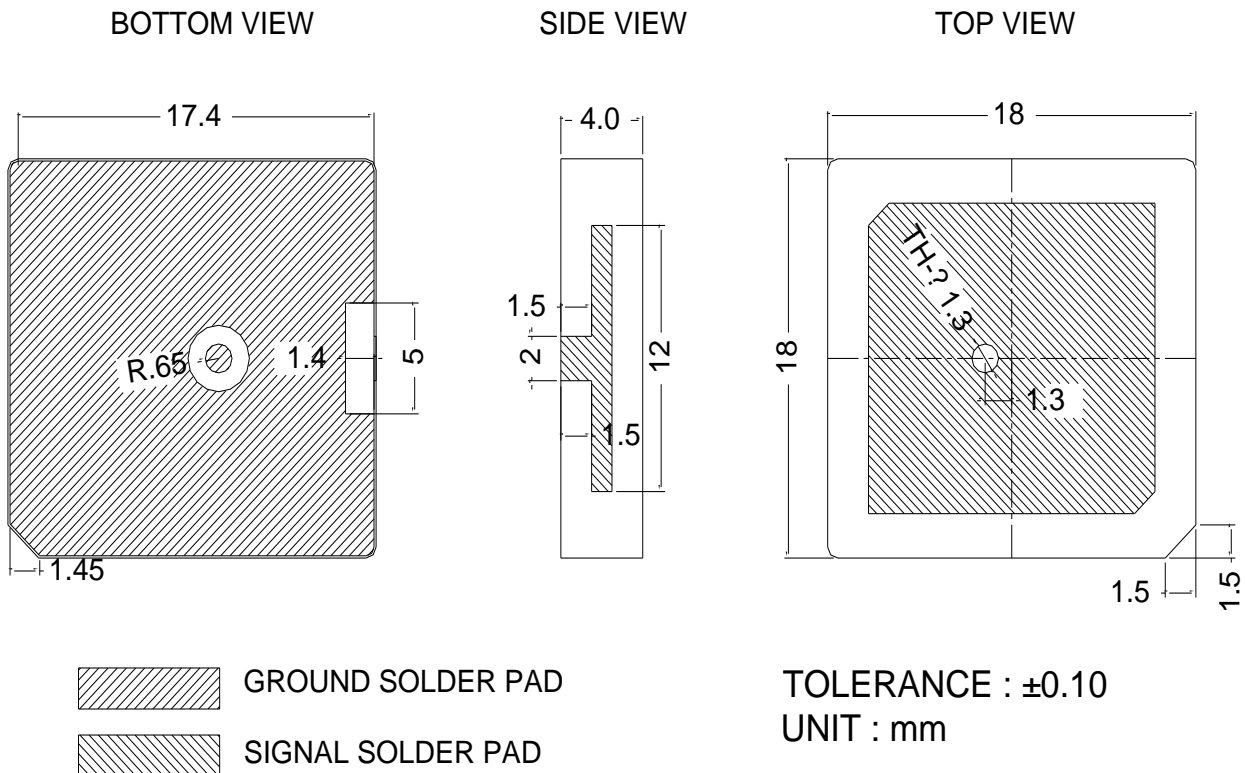


Electrical Specification

Items	Spec	Unit
Frequency Range	1562.32 ± 3	MHz
Return Loss in BW	18	dB min.
Bandwidth in 10dB	10.0	MHz min.
Polarization	R.H.C.P	
Gain at Zenith	1	dBi
Ground plane	50 x 50	mm
In/Out Impedance	50 Ω	
Operation Temp. Range	-40°C to +85°C	

Mechanical Specification



Plot Data

