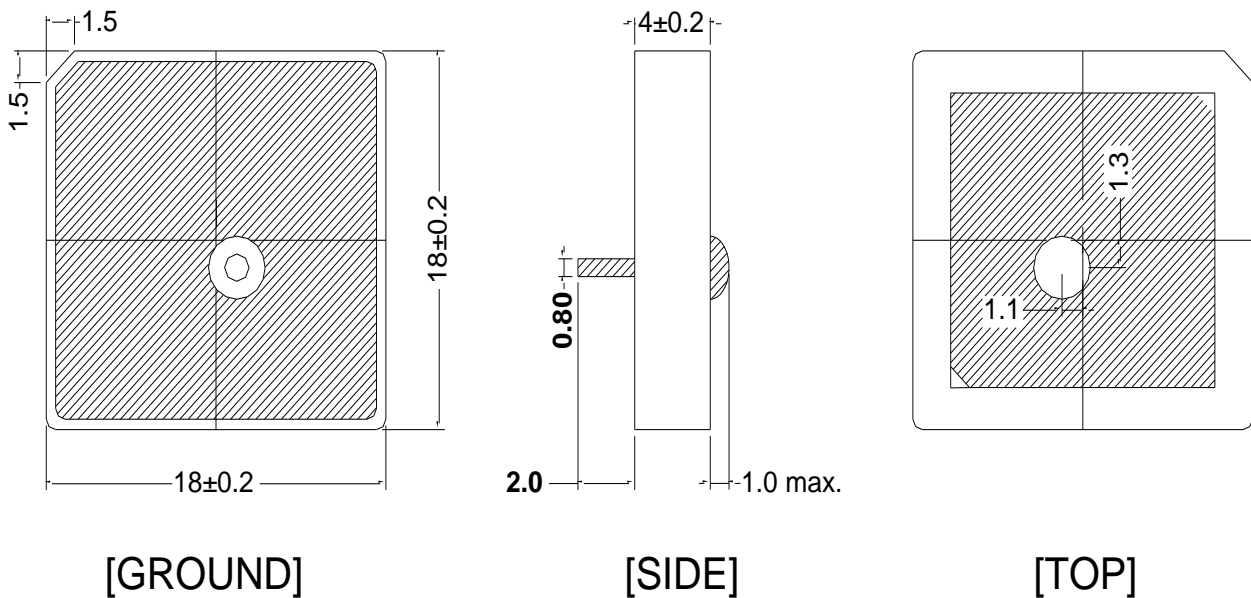


## Electrical Specification

Items	Spec	Unit
Frequency Range	1603 ± 3	MHz
VSWR (at Center Frequency)	1.5	max.
Bandwidth in 10dB	5.0	MHz min.
Polarization	R.H.C.P	
Gain at Zenith		dBi
Ground plane	50 x 50	mm
In/Out Impedance	50 Ω	
Operation Temp. Range	-40°C to +85°C	

## Mechanical Specification



Other Specified Tolerance  $\pm 0.10$   
Unit:mm

Plot Data

