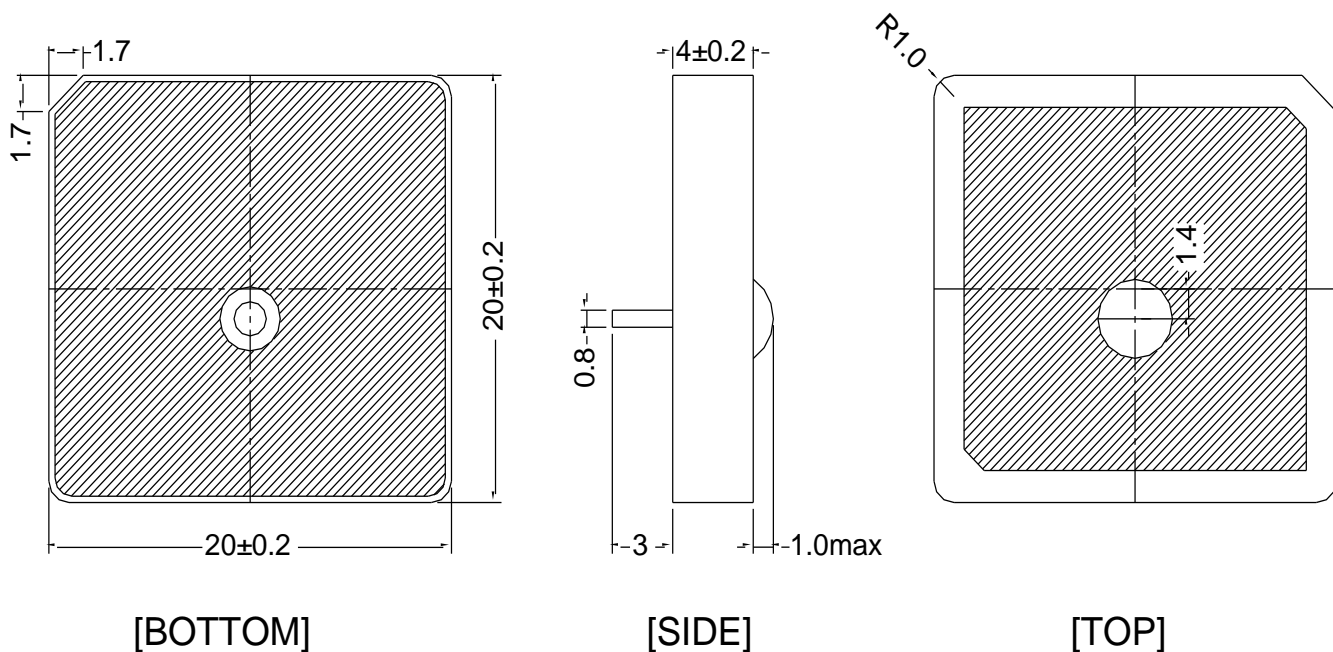


Electrical Specification

Items	Spec	Unit
Frequency Range	1580 ± 3	MHz
VSWR (at Center Frequency)	1.5	max.
Bandwidth in 10dB	10.0	MHz min.
Polarization	R.H.C.P	
Gain at Zenith		dBi
Ground plane	60 x 60	mm
In/Out Impedance	50 Ω	
Operation Temp. Range	-40°C to +85°C	

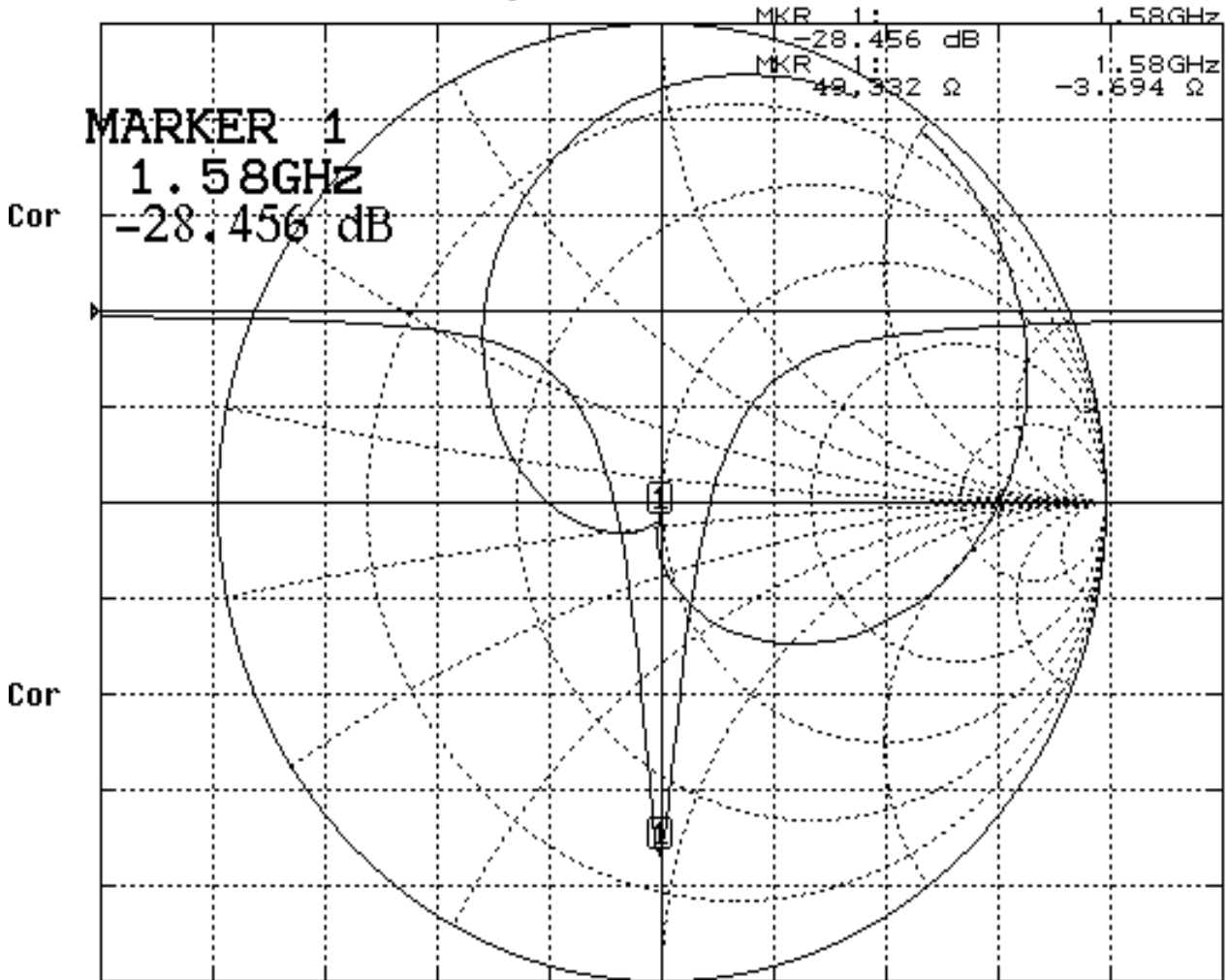
Mechanical Specification



Tolerance Unless
Otherwise Specified: ± 0.10
Unit: mm

Plot Data

CH1 S11 LOG MAG REF 0.000 dB 5.000 dB/
 CH2 S11 SMITH(R+jX) FS 1.000



CENTER 1.58GHz

[10.00 dBm]

SPAN 200MHz