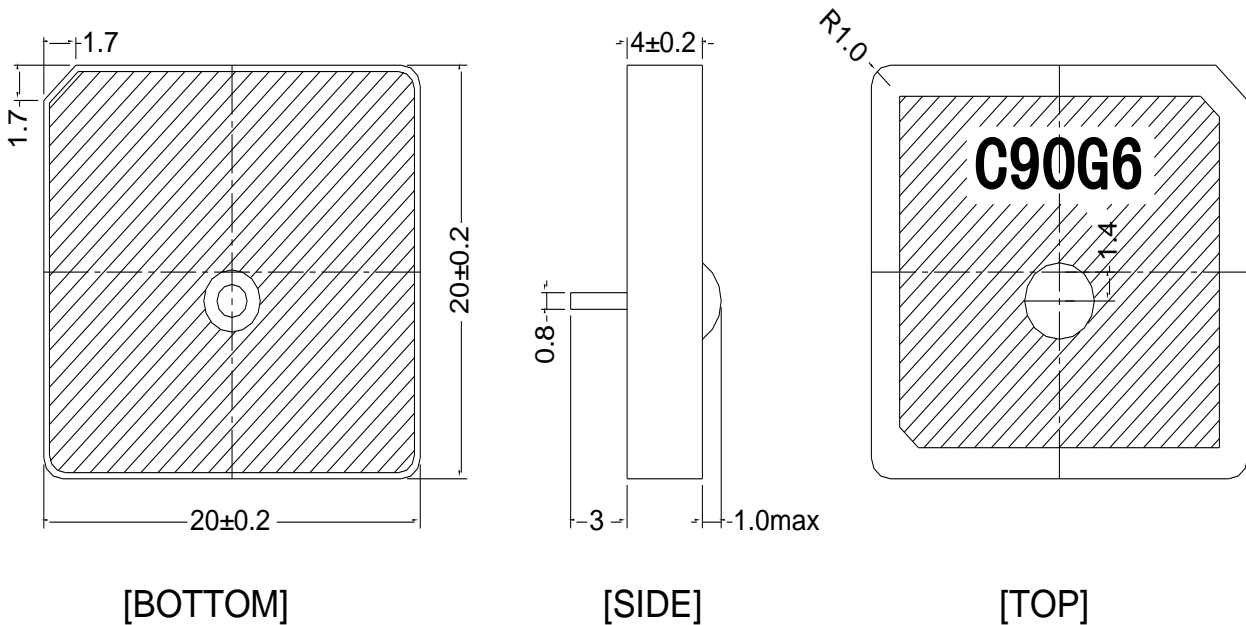


## Electrical Specification

Items	Spec	Unit
Frequency Range	1590 ± 3	MHz
Return Loss in fo	20	dB min.
Bandwidth in 10dB	10.0	MHz min.
Polarization	R.H.C.P	
Gain at Zenith		dBi
Ground plane	60 x 60	mm
In/Out Impedance	50 Ω	
Operation Temp. Range	-40°C to +85°C	

## Mechanical Specification



Tolerance Unless  
Otherwise Specified:  $\pm 0.10$   
Unit:mm

Plot Data

