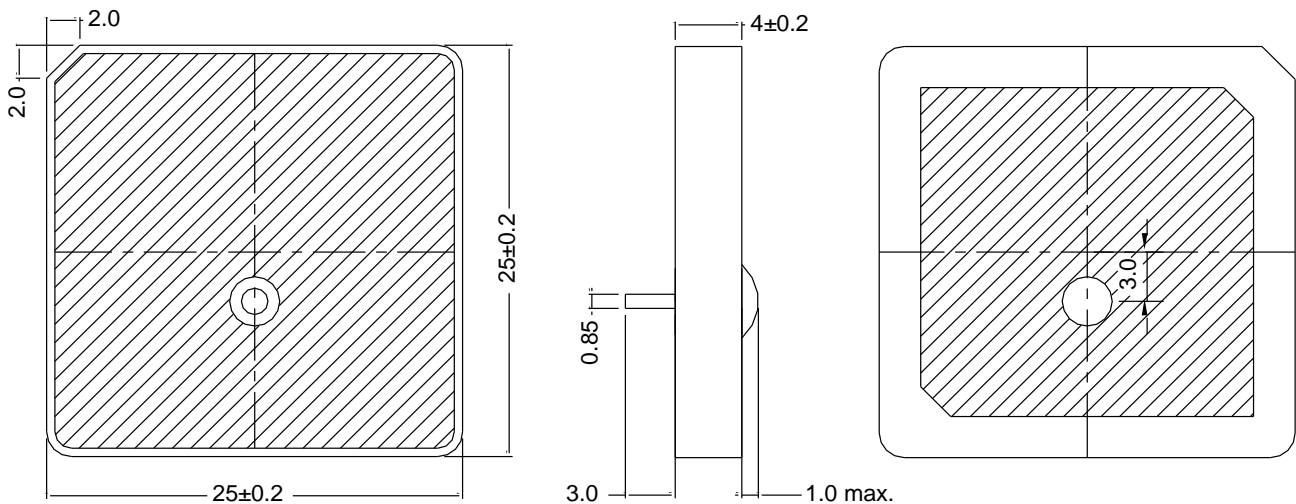


Electrical Specification

Items	Spec	Unit
Frequency Range	1580 ± 3	MHz
VSWR (at Center Frequency)	1.5	max.
Bandwidth in 10dB	20.0	MHz min.
Polarization	R.H.C.P	
Gain at Zenith		dBi
Ground plane	70 x 70	mm
In/Out Impedance	50 Ω	
Operation Temp. Range	-40°C to +85°C	

Mechanical Specification



[BOTTOM]

[SIDE]

[TOP]

Tolerance Unless
Otherwise Specified: ±0.10
Unit:mm



Patch Ant

SPA1580S25T40GA

Plot Data

