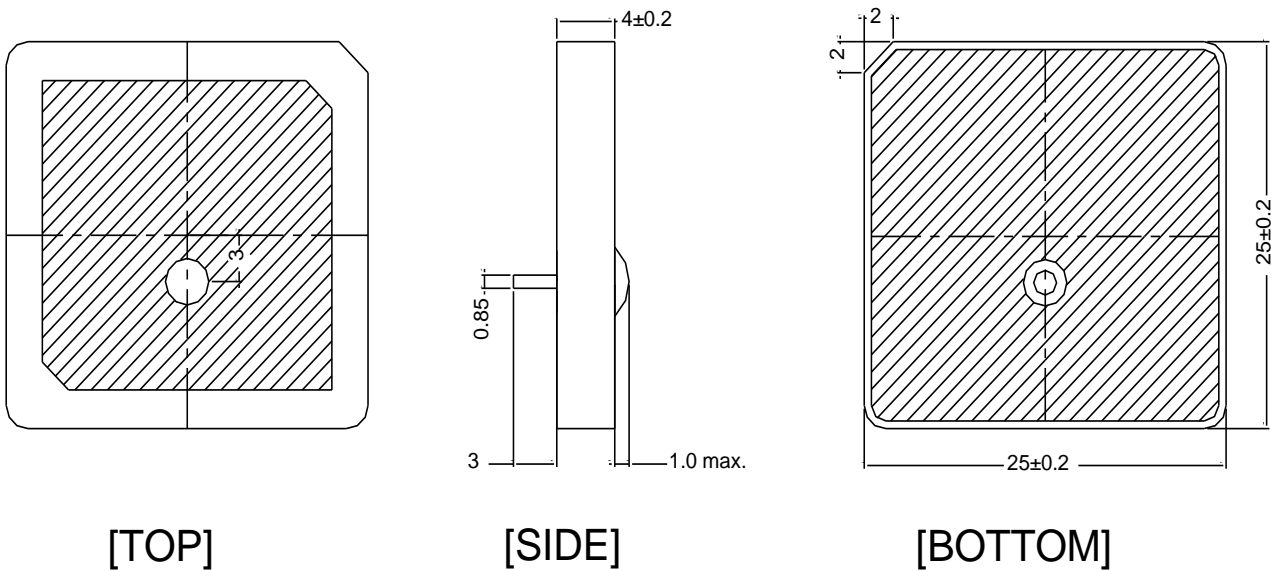


## Electrical Specification

Items	Spec	Unit
Frequency Range	1580 ± 3	MHz
Return Loss	18	dB min.
Bandwidth in 10dB	20.0	MHz min.
Polarization	R.H.C.P	
Gain at Zenith		dBi
Ground plane	70 x 70	mm
In/Out Impedance	50 Ω	
Operation Temp. Range	-40°C to +85°C	

## Mechanical Specification



Tolerance Unless  
Otherwise Specified: ±0.10  
Unit:mm

Plot Data

