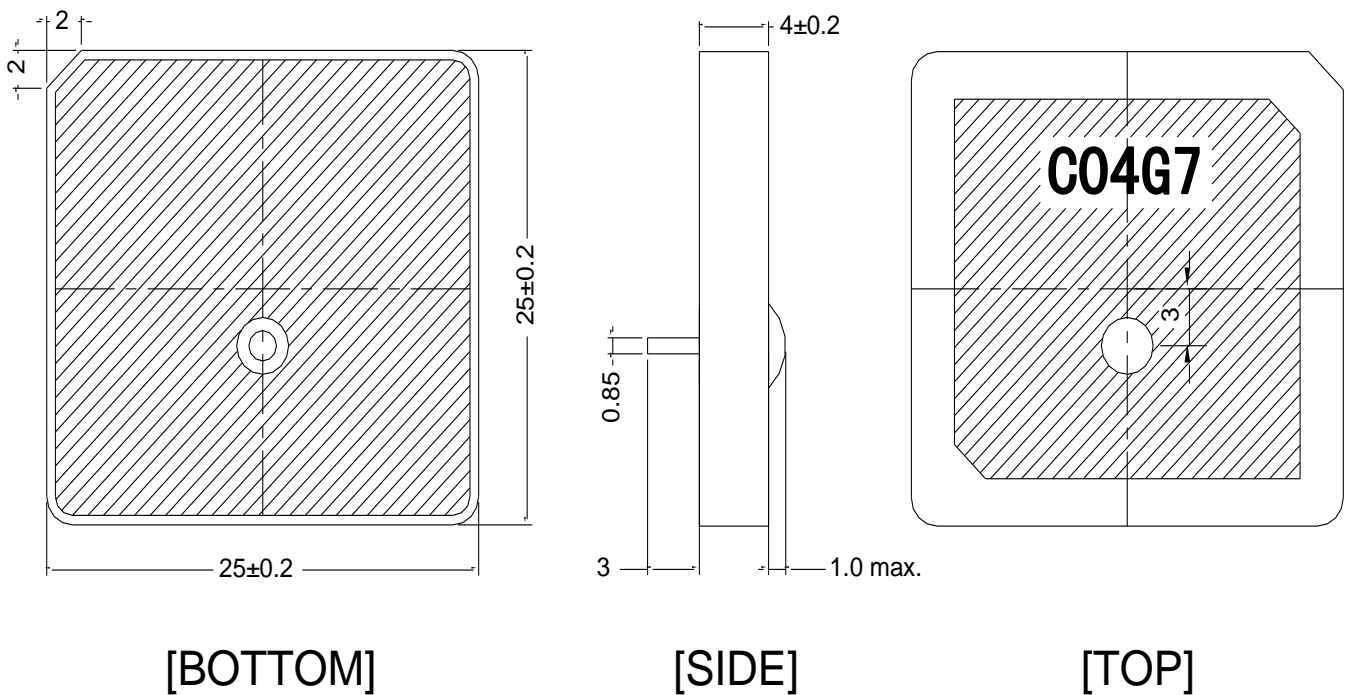


## Electrical Specification

Items	Spec	Unit
Frequency Range	1604 ± 3	MHz
Return Loss	20	dB min.
Bandwidth in 10dB	20.0	MHz min.
Polarization	R.H.C.P	
Gain at Zenith		dBi
Ground plane	70 x 70	mm
In/Out Impedance	50 Ω	
Operation Temp. Range	-40°C to +85°C	

## Mechanical Specification



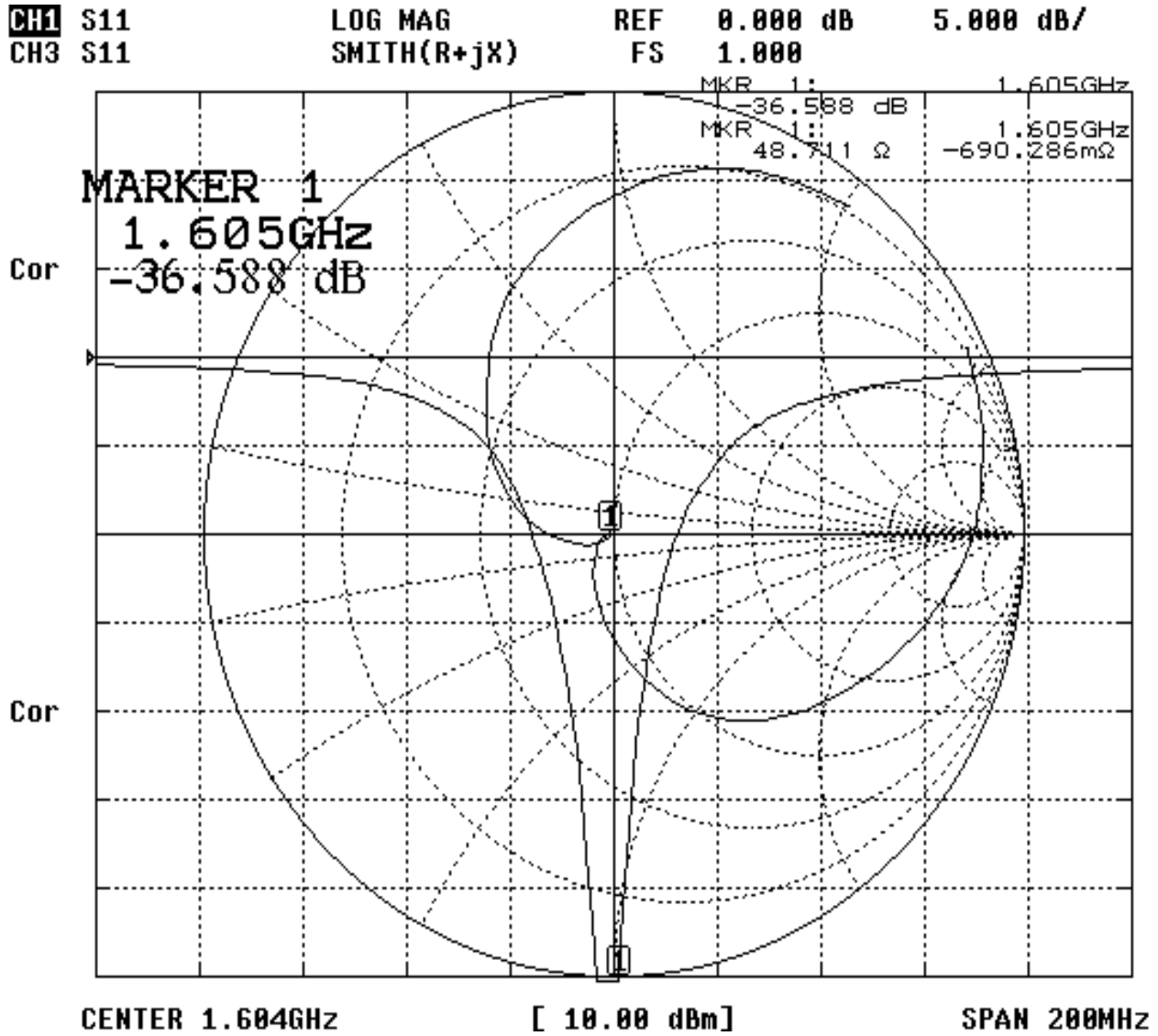
Tolerance Unless  
Otherwise Specified:  $\pm 0.10$   
Unit:mm



# Patch Ant

# SPA1604S25T40GB

## Plot Data



Address:14# Building,NO.369 Lushan Road,New & Hi-Tech Industrial District,Suzhou,Jiangsu Province,China

[Http://www.srtec.com.cn](http://www.srtec.com.cn)

Tel:0086-512-66671285

Fax:0086-512-66671286