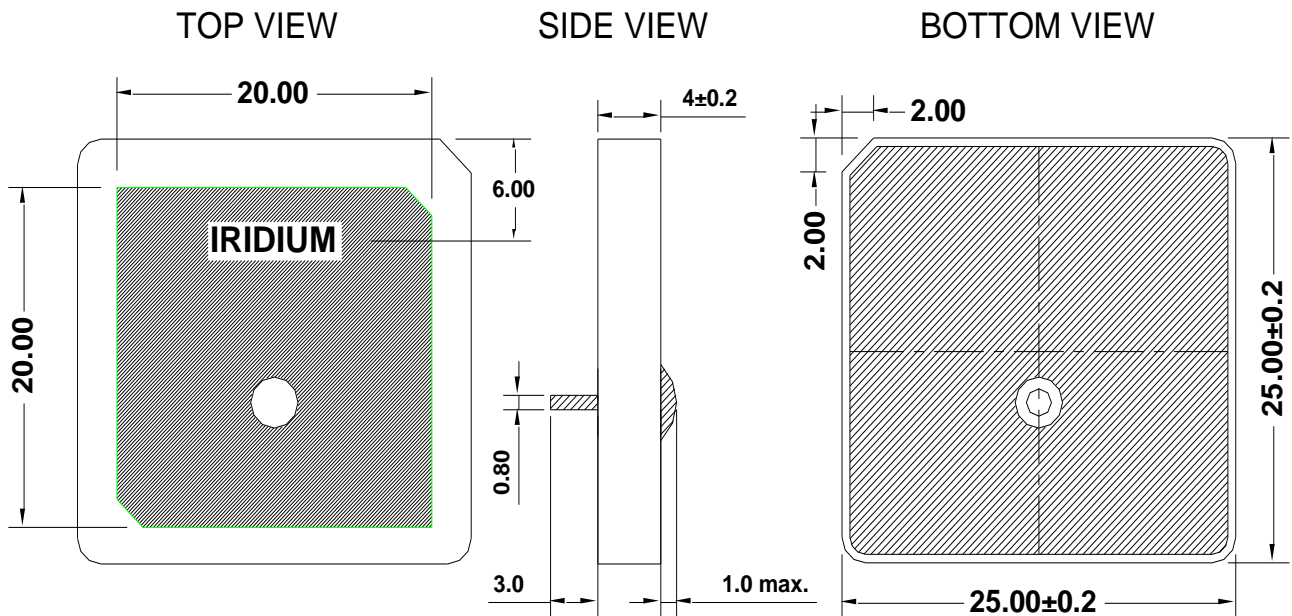


## Electrical Specification

| Items                 | Spec           | Unit     |
|-----------------------|----------------|----------|
| Frequency Range       | 1621 ± 3       | MHz      |
| Return Loss           | 20             | dB min.  |
| Bandwidth in 10dB     | 20.0           | MHz min. |
| Polarization          | R.H.C.P        |          |
| Gain at Zenith        | 5              | dBi      |
| Ground plane          | 60 x 60        | mm       |
| In/Out Impedance      | 50 Ω           |          |
| Operation Temp. Range | -40°C to +85°C |          |

## Mechanical Specification



Other Specified Tolerance : ±0.10  
Unit:mm

Plot Data

