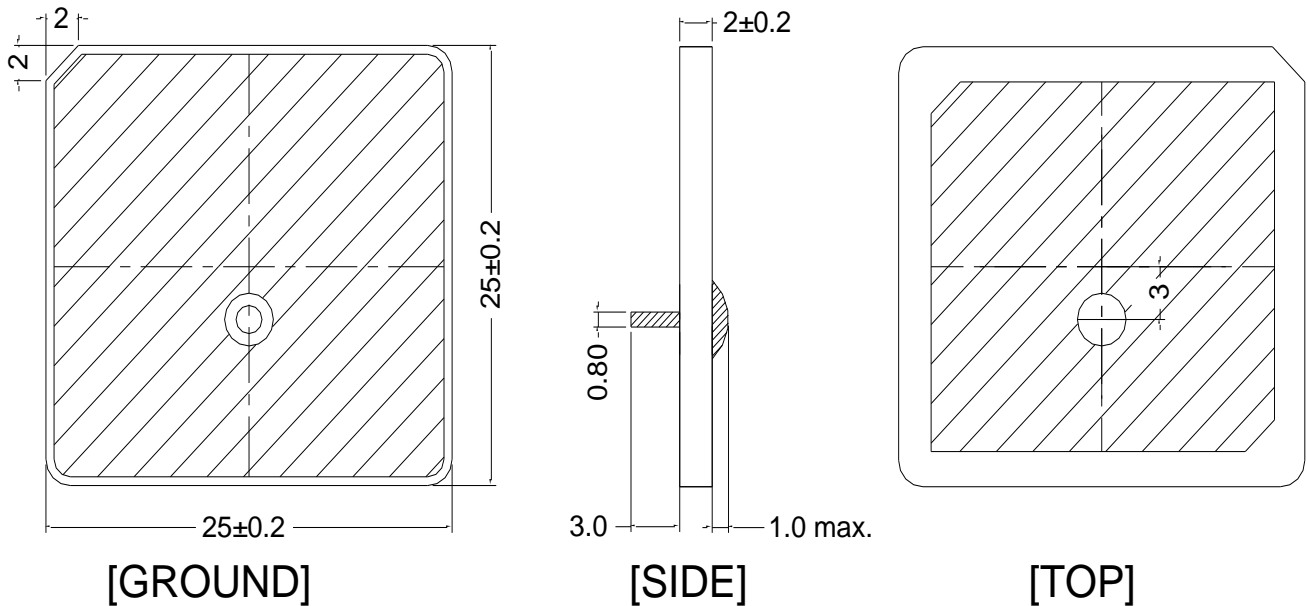


Electrical Specification

Items	Spec	Unit
Frequency Range	2345 ± 10	MHz
Return Loss in fo	15	dB min.
Bandwidth in 10dB	50.0	MHz min.
Polarization	L.H.C.P	
Gain at Zenith	4	dBi
Ground plane	50 x 50	mm
In/Out Impedance	50 Ω	
Operation Temp. Range	-40°C to +85°C	

Mechanical Specification



Other Specified Tolerance : ± 0.10
Unit:mm

Plot Data

