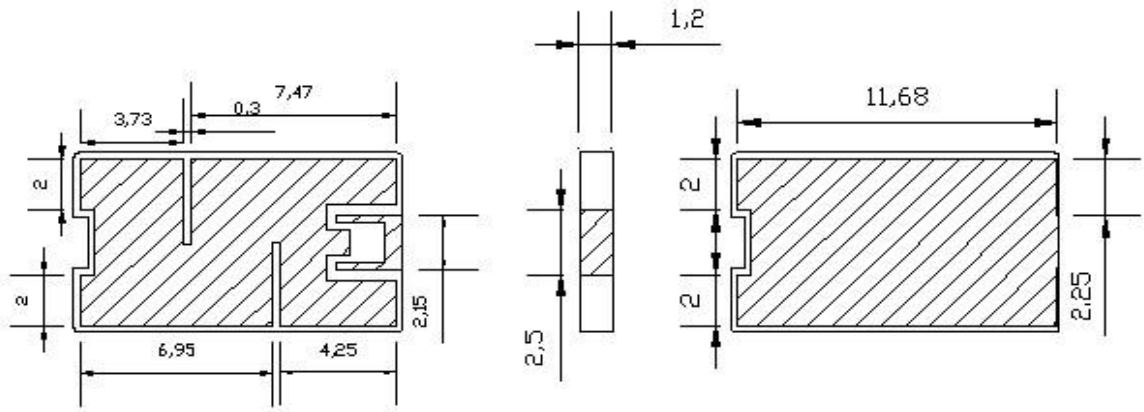


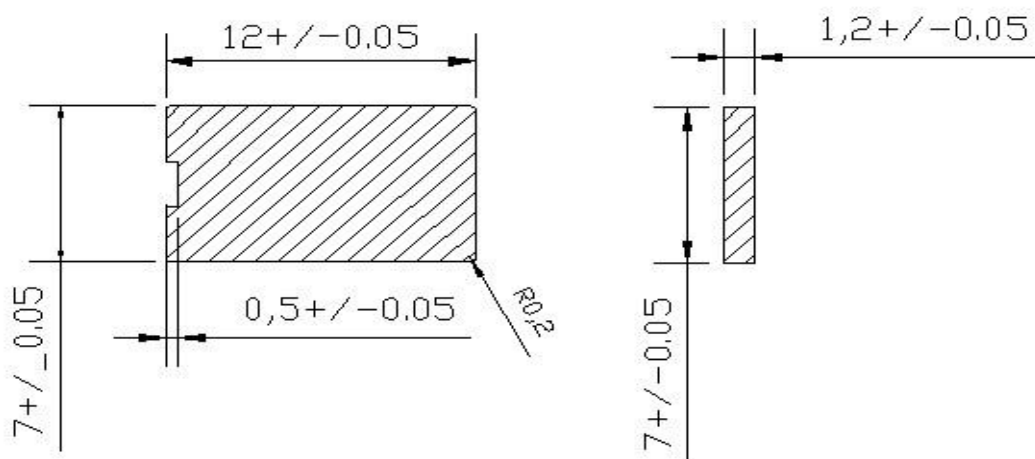
Electrical Specification

Items	Characteristics	Unit
Operating Frequency Range	922.0 ~ 928.0	MHz
Reading Range[m]	3.0	Min.
Application	Liquid	

Mechanical Specification



印刷公差: $\pm 0.05\text{mm}$



Plot Data

