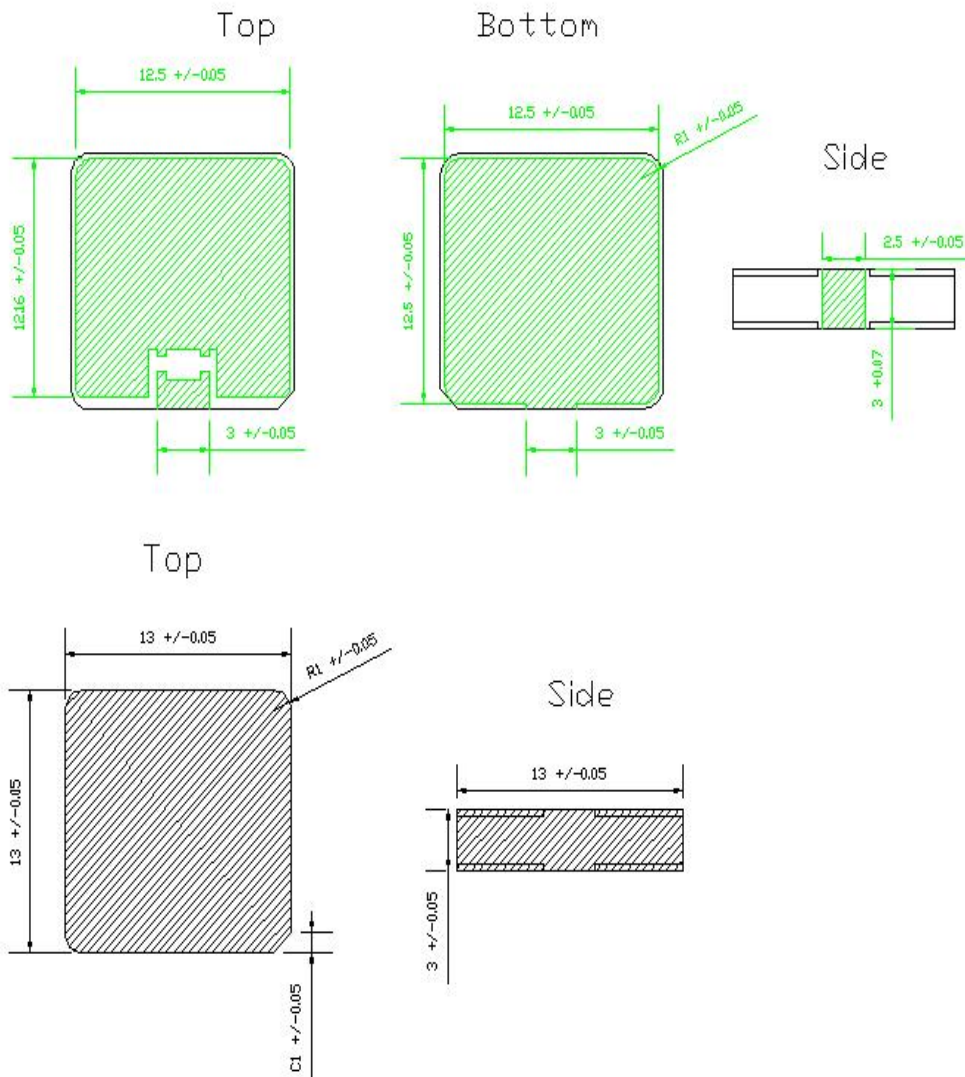


Electrical Specification

Items	Characteristics	Unit
Operating Frequency Range	922.0 ~ 928.0	MHz
Reading Range[m]	3.0	Min.
Application	Metal	

Mechanical Specification



Plot Data

