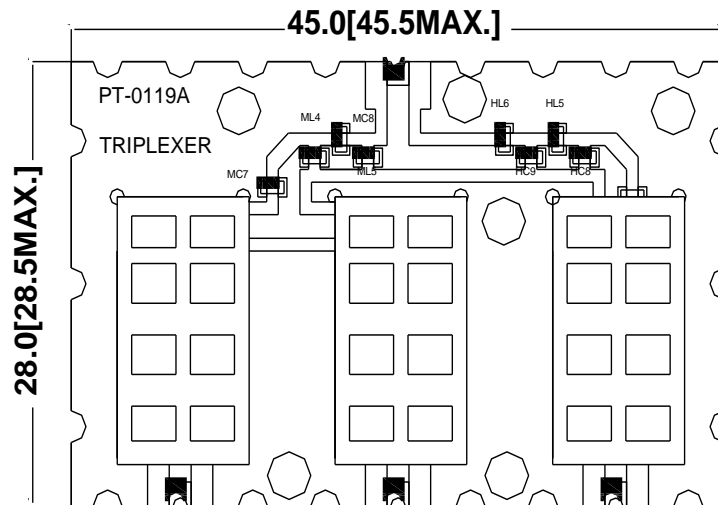


Electrical Specification

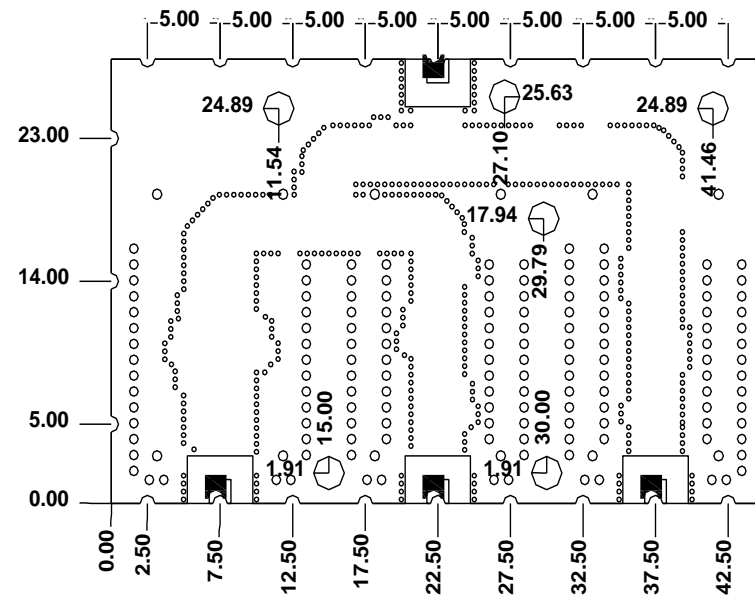
Items	CH 1	CH 2	CH 3	Unit
Center Frequency [fo]	155.0	404.0	835.0	MHz
Bandwidth [BW]	fo± 19.0 [136.0 ~ 174.0]	fo± 108.0 [296.0 ~ 512.0]	fo± 107.0 [728.0 ~ 942.0]	MHz
Insertion Loss in BW	3.0	3.0	3.0	dB max.
Ripple in BW	0.5	0.5	0.5	dB max.
Return Loss in BW	14.0	14.0	14.0	dB min.
V S W R in BW				max.
Attenuation	30 dB min. @ [296.0 ~ 512.0]	30 dB min. @ [136.0 ~ 174.0]	30 dB min. @ [136.0 ~ 174.0]	MHz
<input checked="" type="checkbox"/> Absolute Value	30 dB min. @ [728.0 ~ 942.0]	30 dB min. @ [728.0 ~ 942.0]	30 dB min. @ [296.0 ~ 512.0]	MHz
<input type="checkbox"/> Relative Value	dB min. @ [~]	dB min. @ [~]	dB min. @ [~]	MHz
	dB min. @ [~]	dB min. @ [~]	dB min. @ [~]	MHz
	dB min. @ [~]	dB min. @ [~]	dB min. @ [~]	MHz
	dB min. @ [~]	dB min. @ [~]	dB min. @ [~]	MHz
	dB min. @ [~]	dB min. @ [~]	dB min. @ [~]	MHz
Coupler			-	
Input Power	3.0 W max.			
In/Out Impedance	50 Ω			
Operation Temp. Range	-40°C to +85°C			

Mechanical Specification

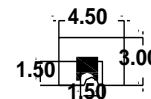
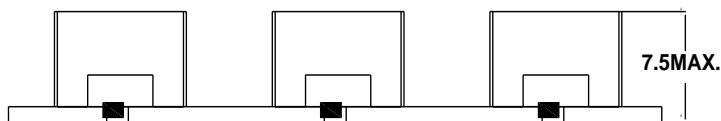
TOP VIEW



BOTTOM VIEW



FRONT VIEW



TOLERANCE : ± 0.2

UNIT : MM

Plot Data

